



# THE RIGHT SERVICE KIT FOR EVERY MACHINE.

FOR EFFICIENT MAINTENANCE.



# GOOD MAINTENANCE PAYS.

YOUR INVESTMENT IN LONG TERM MACHINE PERFORMANCE!

It is crucial that your BOMAG is regularly serviced to ensure full reliability and utilization. BOMAG service kits are designed for each machine's maintenance requirements to ensure long-term reliability. Service kits only use BOMAG genuine parts. This means consequential damage is prevented and the machine warranty remains valid. With your kit order you save time, you get the correct parts, and your machine is available to go to work anytime.



## GENUINE PARTS

- 100% BOMAG quality & safety
- Specifically prepared for every BOMAG machine
- Only high quality, tested and approved materials are utilized
- All genuine parts benefit from the BOMAG product improvement program which means they will always be state-of-the-art



## COMPLETE

- One perfect package from one source: the manufacturer
- Includes all filters, seals and belts
- Some kits also include wear parts, e.g. sprinkler nozzles, and spark plugs
- Optimal and easy inventory control



## WARRANTY PROTECTED

- Warranty remains valid
- Cuts financial risks during the warranty period



## SAFETY & RELIABILITY

- Service kits ensure the correct maintenance procedure is followed.
- Cuts costs by reducing unplanned downtime.
- Total protection for the engine and hydraulic components.
- Ensures cost-effectiveness.



## COST REDUCTION

- Reduced price vs. individual parts
- No risk of incorrect parts ordered
- Precise delivery
- Allows you to plan machine maintenance and repair labor



## SIMPLE ORDERING

- All service parts from one source
- Minimizes errors
- Fast, simple ordering
- One package = ready for servicing/maintenance
- No parts order picking needed

### FAST, EASY SERVICING: WITH BOMAG SERVICE KITS



### SERVICING AND MAINTENANCE NEEDING EXTRA EFFORT: SEPARATE ORDERING OF INDIVIDUAL SERVICE PARTS



Fast. Reliable. Ready to go.

# LIGHT EQUIPMENT – BIG IMPACT WITH SERVICE TOO!



## SERVICE KIT TYPES

Annual service kit

Annual service kit with hydraulic parts

Your light equipment requires a service at least once a year. The hydraulic filters need replacing every other year during the annual service.

## GENUINE PARTS MEET OUR HIGHEST QUALITY STANDARDS.

In the worst case scenario, incorrect or missed maintenance work can cause damage to the engine. So we offer two different service kits for the annual service of your light equipment. This means no compromise in protecting the safety and performance of your machine. We provide you with the genuine parts you require for all service and maintenance.



**BREATHE AGAIN! WITH THE LATEST GENERATION OF BOMAG AIR FILTERS**

- Designed and manufactured to BOMAG specifications
- Water-proof with impregnated filter paper with special pore size
- High quality, smooth rubber seal (axial and radial)





## SERVICE KIT TYPES

Oil service kit

1000 hr service kit

Following the recommended service schedule ensures the highest longterm performance by single drum rollers, and tandem and pneumatic tired rollers. Choose the oil service kit or the 1000 hr service kit for this purpose.

# TANDEM ROLLERS AND SINGLE DRUM ROLLERS – COMBINED EXPERTISE PROVIDES SERVICE EXCELLENCE.

DESIGNED BY SPECIALISTS: BOMAG SERVICE KITS.

It takes more than just a filter to provide full service benefits. BOMAG service kits mean quality is assured – protecting your valuable assets. We cover every need from the fuel filter, the sprinkler nozzles, belts, valve cover gasket, through to the copper sealing rings. Our service kits give you every part you need.



**EFFECTIVE CORROSION PROTECTION:  
BOMAG FUEL PRE-FILTER**

- Full protection for state-of-the-art injection units
- Full particle and water separation
- Ensures specified and adjusted flow rate



# PLANERS, PAVERS & REFUSE COMPACTORS – GENUINE PARTS GIVE THE ULTIMATE FINISH!

EASY MAINTENANCE. FULL POWER.

BOMAG service kits for milling machines, pavers, recyclers and refuse compactors provide all the genuine parts you need from one source, saving time and money, plus safeguarding your investment. Keep downtime to a minimum with BOMAG genuine parts. Your machine is your capital!



## SERVICE KIT TYPES

Oil service kit

1000 hr service kit

Two BOMAG service kits are available for servicing and maintaining your machine. Order either the oil service kit or the 1000 hr service kit.



## SUCCESS IS IN THE DETAILS: BOMAG HYDRAULIC FILTERS

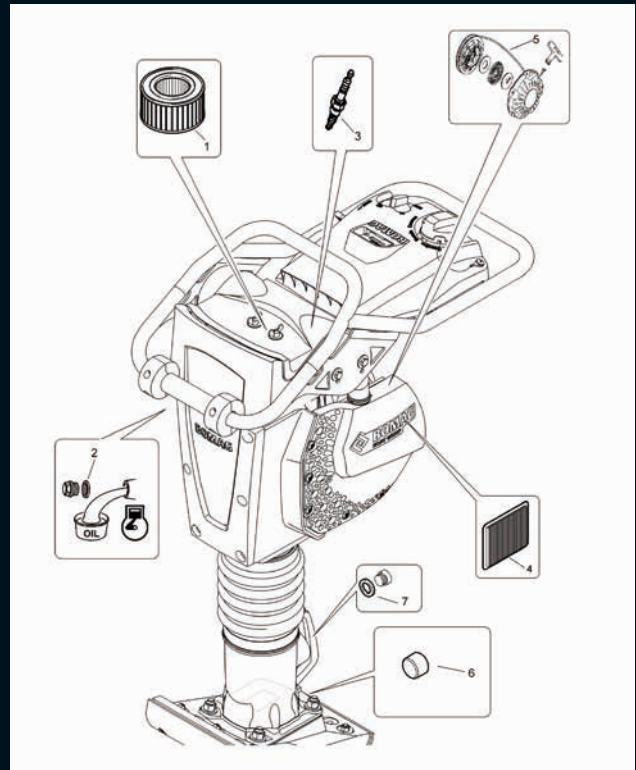
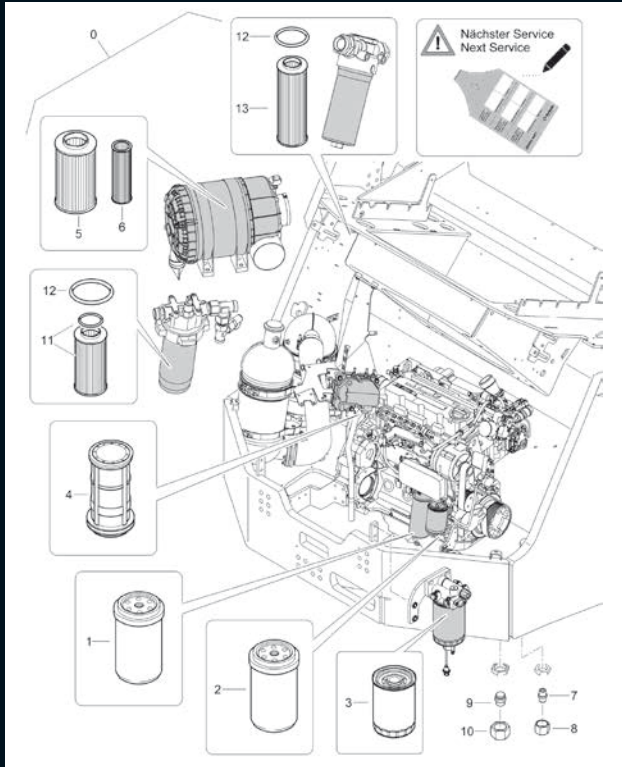
- Excellent, efficient separation of minute particles with depth filtration
- Long filter service life for ultimate cleaning function
- Optimised filter grade ensures total protection of the hydraulic system
- Allows constant output throughout the machine service life
- Long-term reliability with differential pressure stability



# PERFECTLY DOCUMENTED – FULL ACCURACY.

TO THE LAST DETAIL!

To make sure you are covered: your service kit provides you with an exploded drawing, a parts list, and a list of fuels and lubricants (only for light equipment machines).



Pos.	Part no.	Qty.	Description	Benennung	Designation
Pos.	Teilnr.	Menge			
Pos.	No. piece	Qty.			
0	77092121	1	SW1-Service kit, 1000h	SW1-Service Kit 1000h	SW1-Service kit 1000h
1	05710840	1	Filter cartridge, eng oil	Filterpatrone, Motoröl	Cartouche filtrante, huile moteur
2	05718268	1	Fuel filter	Kraftstofffilter	Filtre de carburant
3	05718626	1	Filter cartridge	Filterpatrone	Cartouche de filtre
4	08621335	1	Filter	Filter	Filtre
5	05621475	1	Filter element, air	Filterelement, Luftfilter	Élément filtrant air
6	05621476	1	Filter element, secondary	Filterelement, Sekundär	Élément filtrant secondaire
7	05542705	1	Plug	Verschlußstopfen	Bouchon de fermeture
8	05545025	1	Cap nut	Überwurfmutter	Ecrou-raccord
9	05542704	1	Plug	Verschlußstopfen	Bouchon de fermeture
10	05545022	1	Cap nut	Überwurfmutter	Ecrou-raccord
11	07093014	1	Filter element, hydr. oil	Filterelement, Hydr.öl	Élément filtrant, huile hyd.
12	06220882	2	Loop ring	Runddichtung	Joint torique
13	05877242	1	Filter element, secondary	Filterelement, Sekundär	Élément filtrant secondaire

Baugruppe	Betriebsstoff		Ersatzteilnummer	Füllmenge Füllmarke beachten!
	Sommer	Winter		
Motoröl	SAE 10W-30 Spezifikation: % Kapitel 8.2.1 „Motoröl“ auf Seite 75			0,3 l (0,08 gal us)
	SAE 30			
Kraftstoff	Treibgas (Propan) Spezifikation: % Kapitel 8.2.2 „Treibgas“ auf Seite 75			0,85 kg (1,87 lbs)
	SAE 75W-90, API GL-5 Spezifikation: % Kapitel 8.2.3 „Stampflußöl“ auf Seite 75			0,75 l (0,20 gal us)

Use the documentation supplied with the service kit to service your machine quickly and properly. This saves you time and cuts the risk of downtime.



## THE NEXT SERVICE IS ALWAYS IN SIGHT.

When was the last service? As of July 2017, a label or tag in every service kit can be used on your machine to indicate the next service date. You will never forget the next machine service date.



Head Office / Hauptsitz:

**BOMAG**  
Hellerwald  
56154 Boppard  
GERMANY  
Tel. +49 6742 100-0  
Fax +49 6742 3090  
info@bomag.com

**BOMAG Maschinen-  
handels-gesellschaft m.b.H.**  
Klausenweg 654  
2534 Alland  
AUSTRIA  
Tel. +43 2258 20202  
Fax +43 2258 20202-20  
austria@bomag.com

**BOMAG MARINI EQUIPAMENTOS LTDA.**  
Rua Comendador Clemente Cifali, 530  
Distrito Industrial Ritter  
Cachoeirinha – RS  
BRAZIL  
ZIP code 94935-225  
Tel. +55 51 2125-6677  
Fax +55 51 3470-6220  
brasil@bomag.com

**BOMAG (CANADA), INC.**  
2233 Argentia Road, East Tower  
Suites 302  
Mississauga, ON, Canada  
L5N 2X7  
Tel. +1 800 782 6624  
Fax +1 905 361 9962  
canada@bomag.com

**BOMAG (CHINA)**  
Compaction Machinery Co. Ltd.  
No. 2808 West Huancheng Road  
Shanghai Comprehensive  
Industrial Zone (Fengxian)  
Shanghai 201401  
CHINA  
Tel. +86 21 33655566  
Fax +86 21 33655508  
china@bomag.com

**BOMA Equipment  
Hong Kong LTD**  
Room 1003, 10/F Cham Centre  
700, Castle Peak Road  
Kowloon  
HONG KONG  
Tel. +852 2721 6363  
Fax +852 2721 3212  
bomahk@bomag.com

**BOMAG France S.A.S.**  
2, avenue du Général de Gaulle  
91170 Viry-Châtillon  
FRANCE  
Tel. +33 1 69578600  
Fax +33 1 69962660  
france@bomag.com

**BOMAG (GREAT BRITAIN), LTD.**  
Sheldon Way  
Larkfield, Aylesford  
Kent ME20 6SE  
GREAT BRITAIN  
Tel. +44 1622 716611  
Fax +44 1622 710233  
gb@bomag.com

**BOMAG Italia Srl.**  
Via Roma 50  
48011 Alfonsine  
ITALY  
Tel. +39 0544 864235  
Fax +39 0544 864367  
italy@bomag.com

**FAYAT BOMAG Polska Sp. z o.o.**  
Ul. Szyszkowa 52  
02-285 Warszawa  
POLAND  
Tel. +48 22 482 04 00  
Fax +48 22 482 04 01  
poland@bomag.com

**FAYAT BOMAG RUS OOO**  
141400, RF, Moscow region  
Khimki, Klayazma block, h. 1-g  
RUSSIA  
Tel. +7 (495) 287 92 90  
Fax +7 (495) 287 92 91  
russia@bomag.com

**BOMAG GmbH**  
300 Beach Road  
The Concourse, #18-06  
Singapore 199555  
SINGAPORE  
Tel. +65 6 294 1277  
Fax +65 6 294 1377  
singapore@bomag.com

**BOMAG Americas, Inc.**  
125 Blue Granite Parkway  
Ridgeway SC 29130  
U.S.A.  
Tel. +1 803 3370700  
Fax +1 803 3370800  
usa@bomag.com

